

# Tango



**MODEL: DS - 816**

**DESIGN: DS STUDIO**

# Tango



**MODEL: DS-816**

**CONFIGURATIONS**

- OTTOMAN • CHAIR • LOVESEAT • SOFA • ONE ARM LOVESEAT • ONE ARM SOFA
- SMALL ONE ARM CHAISE • LARGE ONE ARM CHAISE

Top view shown approximately 1:50

**SPECIFICATIONS**

**FRAME :** Select hardwood and industrial grade plywood covered with polyurethane foam and polyester fiber.

**SUSPENSION :** webbing.

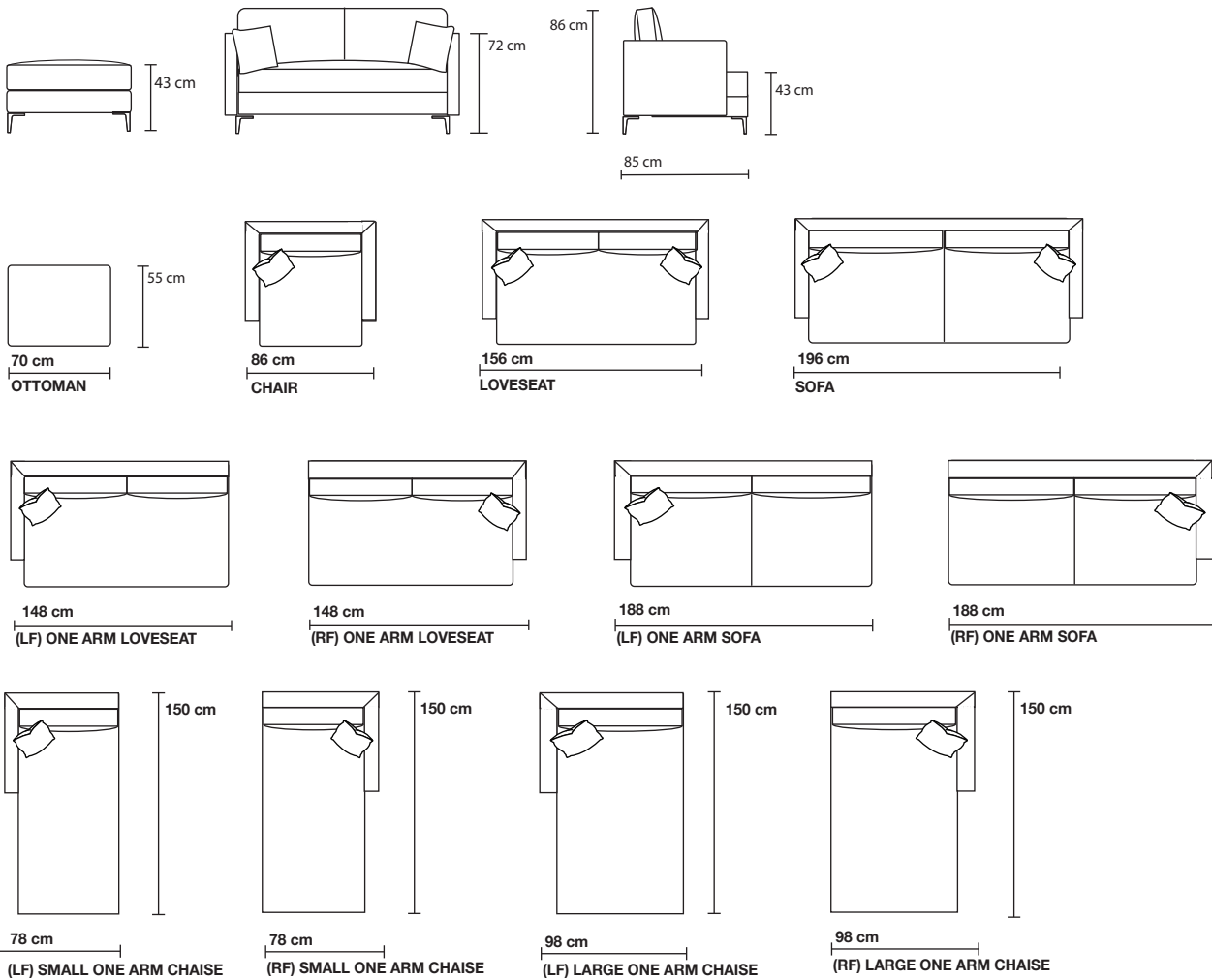
**CUSHION :** Seat ; multiple density/IFD polyurethane foam wrapped with polyester fiber.

**BACK Pillow;** 50% feather & down , 50% Polyester fiber.

**UPHOLSTERY :** Fabrics; all edges are serged and top stitched.

**LEG :** Sable & Polish Aluminum with plastic glide

**LINE DRAWINGS**



For more information about our products, visit [www.dellaasia.com](http://www.dellaasia.com).

© 2023 Dellarobbia Asia Co.,Ltd. ,Inc. All rights reserved. Specifications are subject to change without notice. (2023)

